

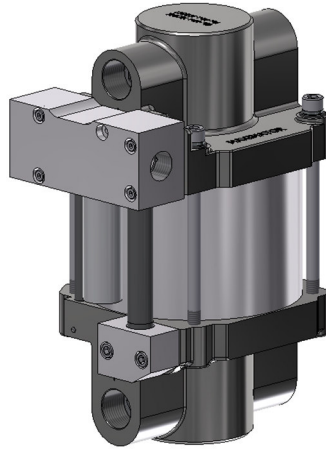
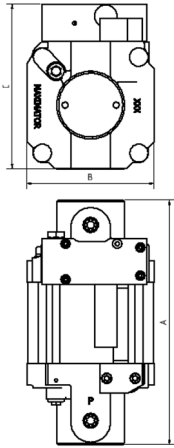
# MAXIMATOR®

maximum pressure

## Technical Data Sheet

S35D

» Oil service



S35D

double acting, single air drive head

### Technical Data:

Air drive pressure:	1 - 10 bar / 14.5 - 145 psi
Calculated working pressure:	380 bar / 5,510 psi
Pressure ratio:	1:38
Displacement volume/double stroke:	25.2 cm <sup>3</sup> / 1.54 cu.inch

### Connections:

Inlet:	3/4" BSP
Outlet:	3/4" BSP
Air drive:	1/2" BSP
Maximum operating temperature:	60°C
Net weight:	14.5 kg

Pressure and flow performances, please see enclosed graph.

### Wetted materials of construction:

Top cap:	0.7050
Air cylinder:	3.3206
Seal package:	Polyurethane, NBR
Pump Body:	0.7050
HP Piston:	1.4112

### Approximate Dimensions:

A:	260 mm
B:	135 mm
C:	175 mm

### Available Options:

Special inlet and outlet ports, i.e. NPT:	S35D-NPT
Special seal material to handle special fluids on request.	

### Available Accessories:

Air control units with filter pressure regulator, control pressure gauge and shut off valve:	S35D with C1.5
To protect the pump against excessive outlet pressures or to limit the outlet pressure, a safety valve can be fitted to the air control unit in the air drive line.	S35D with C1.5/SV-air (The required outlet pressure has to be indicated.)

**Please consult factory for more information.** All technical and dimensional information subject to change. All General Terms and Conditions of sale, including limitations of our liability, apply to all products and services sold.

## Leistungsdiagramm/Performance Graph S 35 D

Prüfflüssigkeit/Test Liquid: Wasser-Öl-Emulsion/Water Oil Emulsion ca. 1 - 10 cst

