

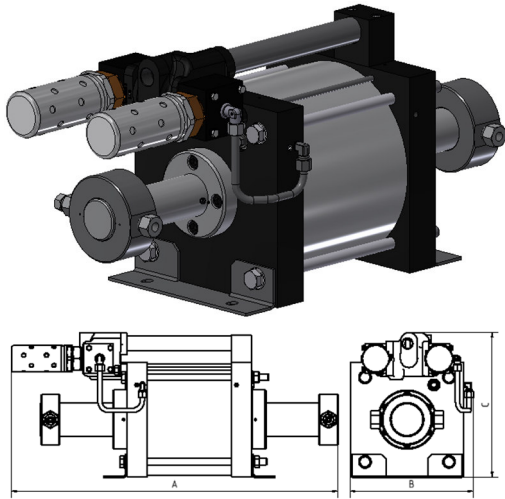
MAXIMATOR®

maximum pressure

Technical Data Sheet

GPD180

» Oil and Water Service



GPD180

double acting, single air drive head

Technical Data:

Air drive pressure:	1 - 10 bar / 14.5 - 145 psi
Calculated working pressure:	1920 bar / 27840 psi
Pressure ratio:	1:192
Displacement volume/double stroke:	69 cm ³ / 4.2 cu.inch

Connections:

Inlet:	BSP 1/4"
Outlet:	6H (3/8")
Air drive:	BSP 3/4"
Maximum operating temperature:	60°C
Net weight:	58 kg

Pressure and flow performances, please see enclosed graph.



Pumps of the GPD Series that are marked with an EX sign and are supplied with a declaration of conformity as defined in 94/9/EC may be used in areas subject to explosion hazards. They are in conformity to Group II Category 2G Explosion group IIC constructive safety.

Wetted materials of construction:

Seal package:	GPD 180: UHMWPE, PU
Pump Body:	1.4542
Piston:	1.4301
Fittings:	1.4542

Approximate Dimensions:

A:	777 mm
B:	293 mm
C:	343 mm

Available Options:

Inlet and Outlet piping to one common inlet and one common outlet port

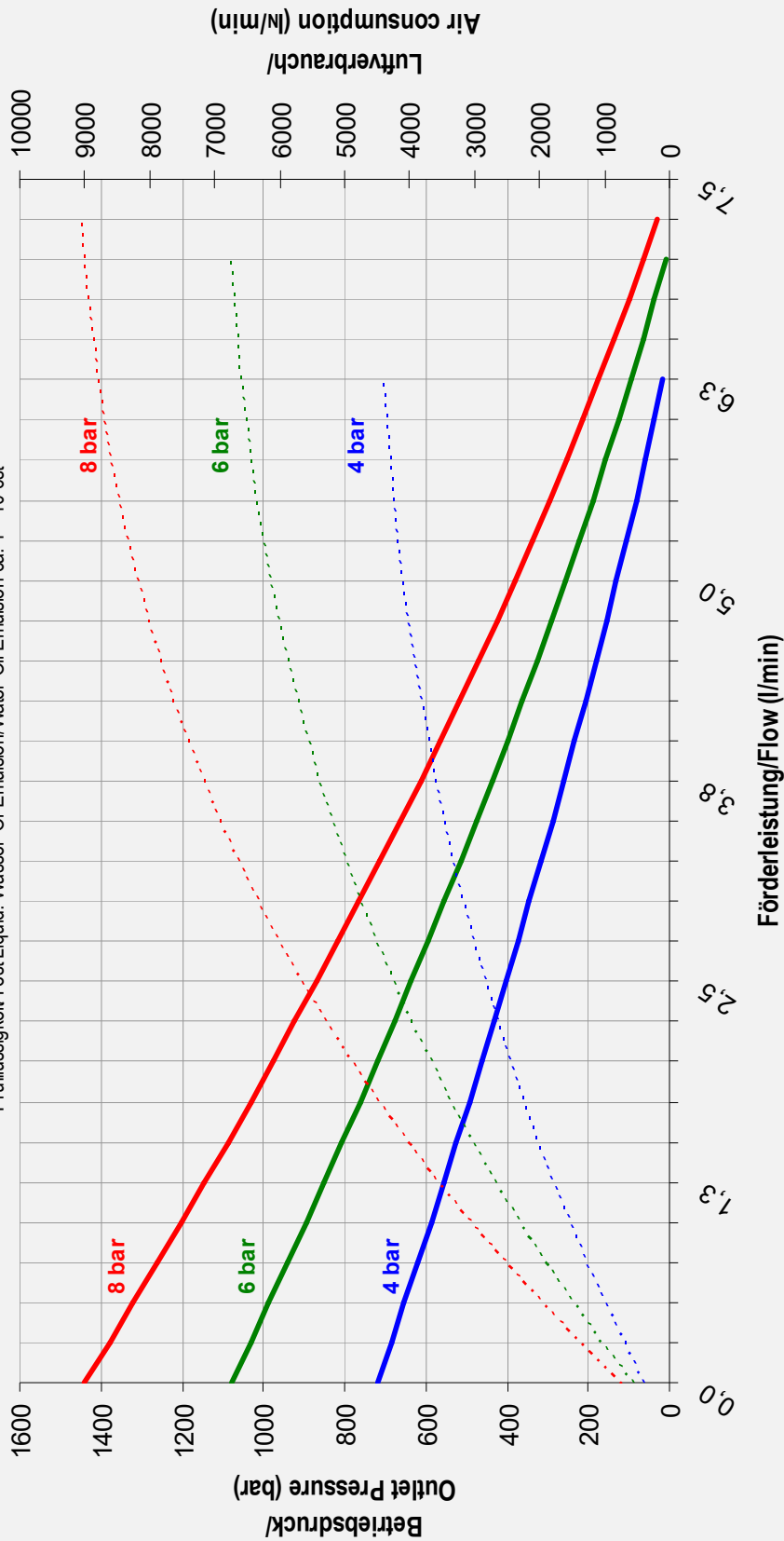
Available Accessories:

Air control units with filter pressure regulator, control pressure gauge and shut off valve:	GPD180 with C2
To protect the pump against excessive outlet pressures or to limit the outlet pressure, a safety valve can be fitted to the air control unit in the air drive line.	GPD180 with C2/SV-air (The required outlet pressure has to be indicated.)

Please consult factory for more information. All technical and dimensional information subject to change. All General Terms and Conditions of sale, including limitations of our liability, apply to all products and services sold.

Leistungsdiagramm/Performance Graph GPD 180

Prüfflüssigkeit/Test Liquid: Wasser-Öl-Emulsion/Water Oil Emulsion ca. 1 - 10 cst



- Betriebsdruck bei/Outlet Pressure at 4 bar
- Betriebsdruck bei/Outlet Pressure at 6 bar
- Betriebsdruck bei/Outlet Pressure at 8 bar
- Luftverbrauch bei/Air consumption at 4 bar
- Luftverbrauch bei/Air consumption at 6 bar
- Luftverbrauch bei/Air consumption at 8 bar