

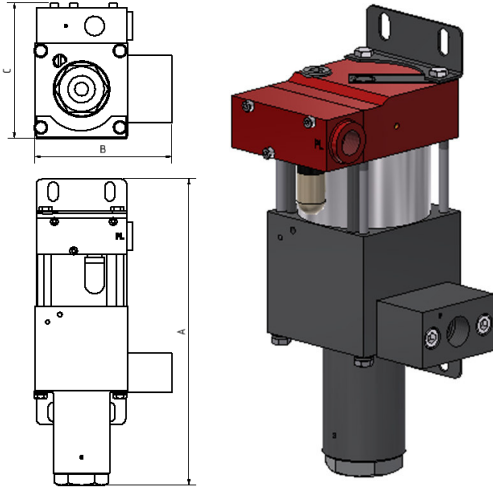
MAXIMATOR®

maximum pressure

Technical Data Sheet

MSF12(L)

» Special liquids



MSF12(L)

single acting, single air drive head and distance piece
(Standard= Bottom inlet)

Technical Data:

Air drive pressure:	1 - 10 bar / 14.5 - 145 psi
Calculated working pressure:	140 bar / 2030 psi
Pressure ratio:	1:14
Displacement volume/double stroke:	9.4 cm ³ / 0.57 cu.inch

Connections:

Inlet:	Standard: Bottom Inlet 3/4" BSP
Outlet:	1/2" BSP
Air drive:	3/8" BSP
Maximum operating temperature:	60°C
Net weight:	6.7 kg

Pressure and flow performances, please see enclosed graph.

Wetted materials of construction:

Seal package:	MSF12(L): PTFE
Pump Body:	1.4404
Piston:	1.4404
Fittings:	Inlet: 1.4305 Outlet: 1.4404

Approximate Dimensions:

A:	272 mm
B:	120 mm
C:	120 mm

Available Options:

Special inlet and outlet ports, i.e. NPT:	MSF12(L)-NPT
Special seal material to handle special fluids on request.	

Available Accessories:

Air control units with filter pressure regulator, control pressure gauge and shut off valve:	MSF12(L) with C1
To protect the pump against excessive outlet pressures or to limit the outlet pressure, a safety valve can be fitted to the air control unit in the air drive line.	MSF12 (L) with C1/SV-air (The required outlet pressure has to be indicated.)

Please consult factory for more information. All technical and dimensional information subject to change. All General Terms and Conditions of sale, including limitations of our liability, apply to all products and services sold.

Leistungsdiagramm/Performance Graph M(O)(SF) 12

Prüfflüssigkeit/Test Liquid: Wasser-Öl-Emulsion/Water Oil Emulsion ca. 1 - 10 cst

