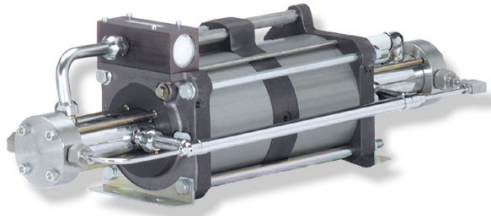


MAXIMATOR®

maximum pressure

Technical Data Sheet



DLE 30-75-2
double acting, double air drive head
two stages

Gas booster DLE 30-75-2-30

Technical Data:

Air drive pressure pL:	1-10 bar / 14.5 - 145 psi
Pressure ratio i:	1:60 / 1:150
Compression ratio	1:50
Stage pressure ratio:	1:2.5
Minimum suction pressure pA:	15 bar
Maximum suction pressure pA:	24* air drive pressure pL
Maximum outlet pressure pB:	2100 bar (30000 psi)
Displacement volume/double stroke:	60 cm ³
Stall pressure:	PB = 150* pL + 150/60*pA

Standard Connections:

Air drive:	3/4" BSP
DLE 30-75-2 (-GU)	Inlet = 1/4" BSP Outlet = 9/16-18 UNF
Maximum operating temperature	100°C
Net weight:	25.3 kg

Pressure and flow performances, please see enclosed graph.

Materials of construction hp section DLE 30-75-2:

Standard seal package:	PTFE, Viton
Compressor head:	1.4305 (DLE30) 1.4542 (DLE75)
HP cylinder:	1.4542
HP piston:	1.4305
Fittings:	1.4305 (DLE30) 1.4542 (DLE75)
Balls:	1.4034
Springs:	1.4310

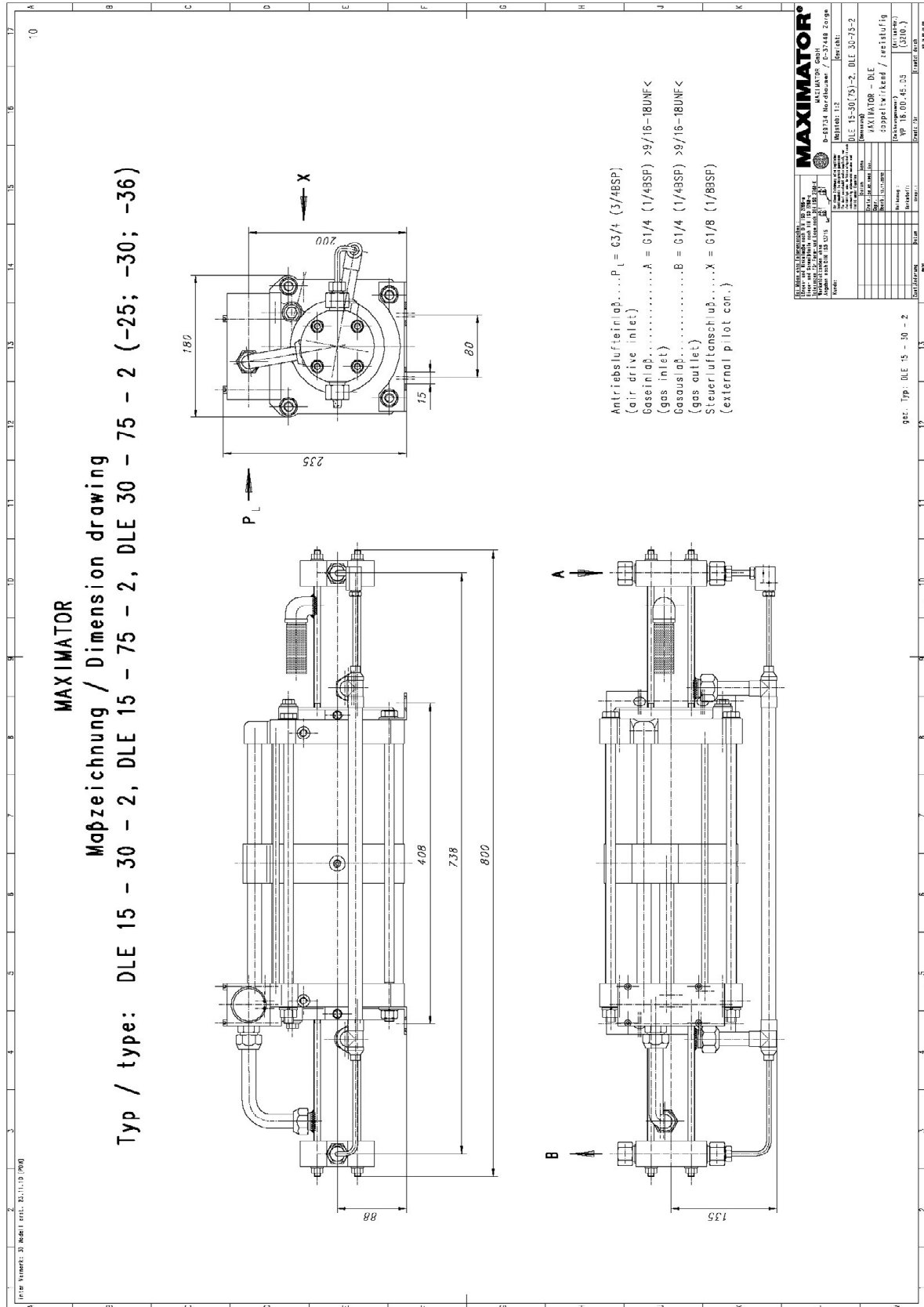
Approximate Dimensions:

Length:	815 mm
Width:	210 mm
Height:	233 mm

Available Accessories:

Air control units with filter pressure regulator, control pressure gauge and shut off valve:	DLE 30-75-2 with C2
To protect the booster against excessive outlet pressures or to limit the outlet pressure, a safety valve can be fitted to the air control unit in the air drive line:	DLE 30-75-2 with C2/SVair (The required outlet pressure has to be indicated.)

Please consult factory for more information. All technical and dimensional information subject to change. All General Terms and Conditions of sale, including limitations of our liability, apply to all products and services sold.



MAXIMATOR®

maximum pressure

