

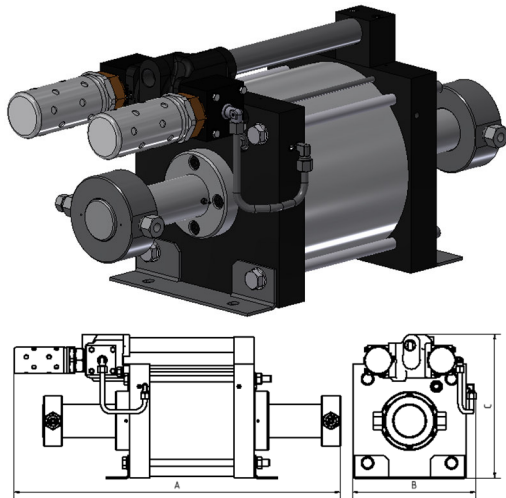
# MAXIMATOR®

maximum pressure

## Technical Data Sheet

GPD260

» Oil and Water Service



GPD260

double acting, single air drive head

### Technical Data:

Air drive pressure:	1 - 10 bar / 14.5 - 145 psi
Calculated working pressure:	2770 bar / 40165 psi
Pressure ratio:	1: 277
Displacement volume/double stroke:	48 cm <sup>3</sup> / 2.9 cu.inch

### Connections:

Inlet:	BSP 1/4"
Outlet:	6H (3/8")
Air drive:	BSP 3/4"
Maximum operating temperature:	60°C
Net weight:	58 kg

Pressure and flow performances, please see enclosed graph.



Pumps of the GPD Series that are marked with an EX sign and are supplied with a declaration of conformity as defined in 94/9/EC may be used in areas subject to explosion hazards. They are in conformity to Group II Category 2G Explosion group IIC constructive safety.

### Wetted materials of construction:

Seal package:	GPD 260: UHMWPE, FKM
Pump Body:	1.4542
Piston:	1.4301
Fittings:	1.4542

### Approximate Dimensions:

A:	777 mm
B:	293 mm
C:	343 mm

### Available Options:

Inlet and Outlet piping to one common inlet and one common outlet port

### Available Accessories:

Air control units with filter pressure regulator, control pressure gauge and shut off valve:	GPD260 with C2
To protect the pump against excessive outlet pressures or to limit the outlet pressure, a safety valve can be fitted to the air control unit in the air drive line.	GPD260 with C2/SV-air (The required outlet pressure has to be indicated.)

**Please consult factory for more information.** All technical and dimensional information subject to change. All General Terms and Conditions of sale, including limitations of our liability, apply to all products and services sold.

## Leistungsdiagramm/Performance Graph GPD 260

Prüfflüssigkeit/Test Liquid: Wasser-Öl-Emulsion/Water Oil Emulsion ca. 1 - 10 cst

