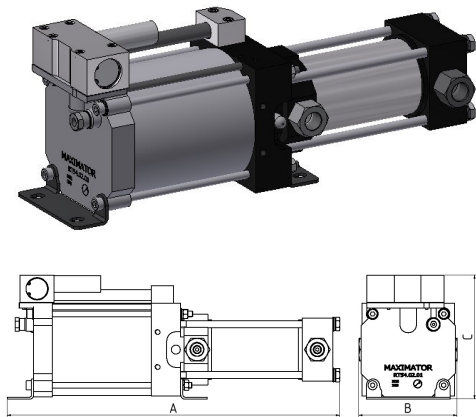




Technical Data Sheet

Liquefied Gas Pump

SLGP 3-NBR



Technical Data:

Air drive pressure:	1 - 10 bar / 14.5 - 145 psi
Min. inlet pressure pA:	-0.8 bar / -11.6 psi
Max. outlet pressure pB:	52 bar / 755 psi
Pressure ratio:	1:3.2
Displacement volume/double stroke:	746 cm ³ / 45.52 cu.inch

Connections:

Inlet:	1/2" BSP
Outlet:	1/2" BSP
Air drive:	1/2" BSP
Maximum operating temperature:	-20 °C - +60 °C
Net weight:	10.7 kg

Pressure and flow performances, please see enclosed graph.

Wetted materials of construction:

Seal package:	PTFE, NBR
Compressor head:	3.1645
Cylinder:	3.3206
Piston:	1.4305
Fittings:	1.4305 / 1.4404
Balls	1.4034
Springs	1.4310

Approximate Dimensions:

A:	478 mm
B:	141 mm
C:	178 mm

Available Options:

RS:	Reduced stroke
FS - Flame arrester:	This option cannot be retrofitted and must be specified when ordering.
FEC:	For extreme cycling
LT:	Low Temperature
LTA:	Low Temperature Ambient
Special sealing materials on request	

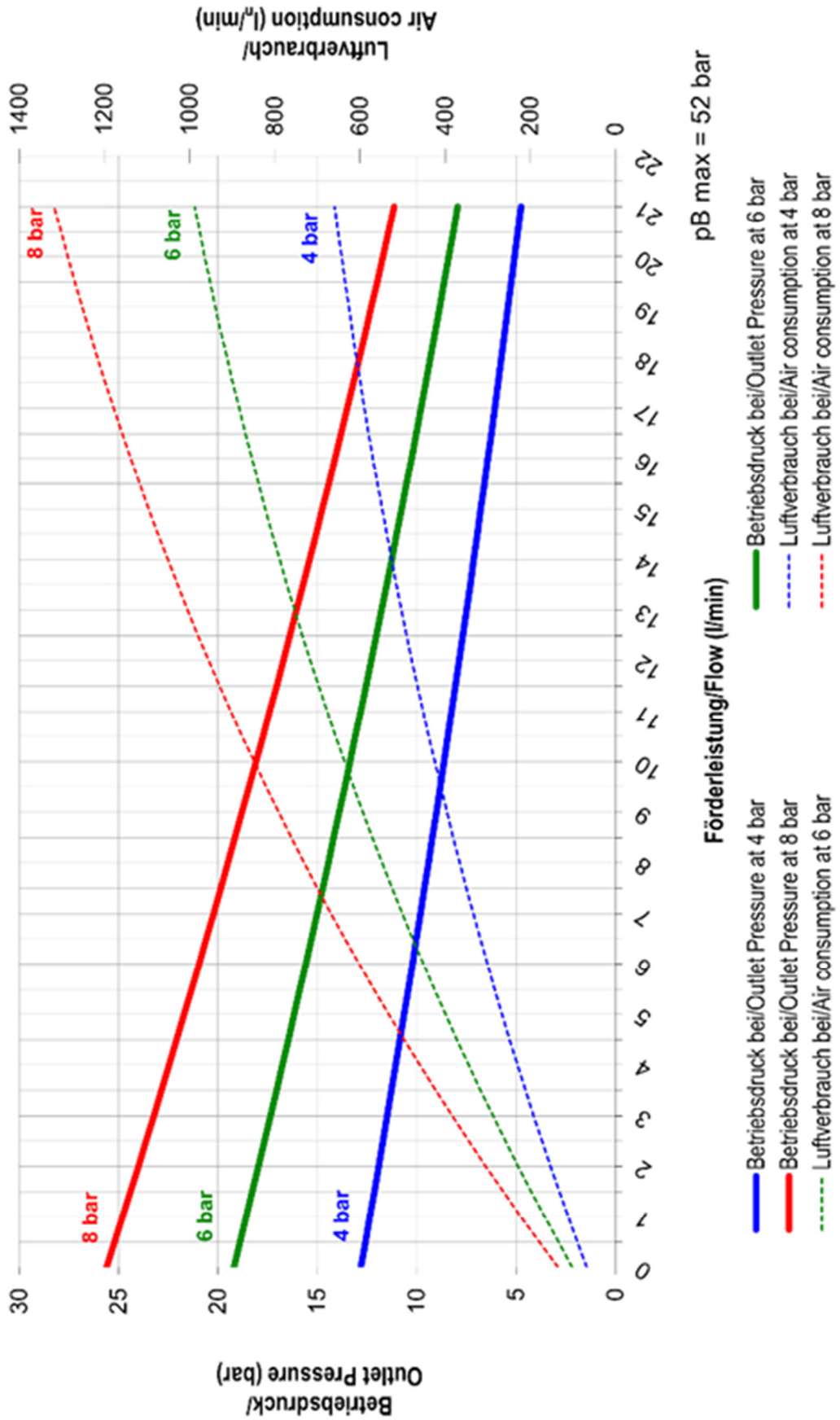
Please consult factory for more information. All technical and dimensional information subject to change. All General Terms and Conditions of sale, including limitations of our liability, apply to all products and services sold.



Performance Graph for liquid fluids

Leistungsdiagramm/Performance Graph SLGP 3

Prüfflüssigkeit/Test Liquid: Wasser-Oil-Emulsion/Water Oil Emulsion ca. 1 - 10 cst





Performance Graph for for gaseous fluids

