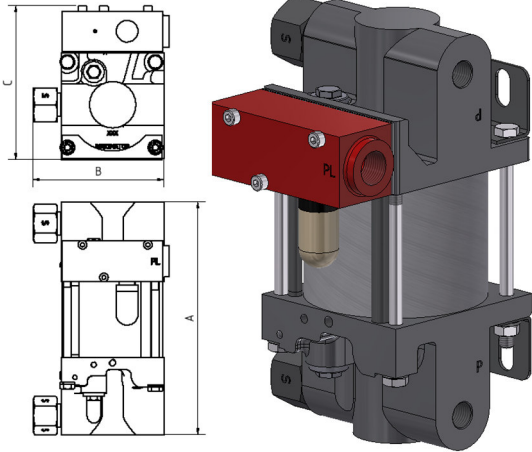




### Technical Data Sheet

MO72D

» Oil service



MO72D  
double acting, single air drive head  
(Standard= Side inlet)

#### Technical Data:

Air drive pressure:	1 - 10 bar / 14.5 - 145 psi
Calculated working pressure:	860 bar / 12473 psi
Pressure ratio:	1:86
Displacement volume/double stroke:	3.0 cm <sup>3</sup> / 0.18 cu.inch

#### Connections:

Inlet:	3/8" BSP
Outlet:	1/4" BSP
Air drive:	3/8" BSP
Maximum operating temperature:	60°C
Net weight:	4.5 kg

Pressure and flow performances, please see enclosed graph.

#### Wetted materials of construction:

Top cap:	0.7050
Air cylinder:	3.3206
Seal package:	Polyurethane, NBR
Pump Body:	0.7050
Piston:	1.4112

#### Approximate Dimensions:

A:	185.5 mm
B:	108 mm
C:	122.5 mm

#### Available Options:

Special inlet and outlet ports, i.e. NPT:	MO72D-NPT
Special seal material to handle special fluids on request.	

#### Available Accessories:

Air control units with filter pressure regulator, control pressure gauge and shut off valve:	MO72D with C1
To protect the pump against excessive outlet pressures or to limit the outlet pressure, a safety valve can be fitted to the air control unit in the air drive line.	MO72D with C1/SV-air (The required outlet pressure has to be indicated.)

**Please consult factory for more information.** All technical and dimensional information subject to change. All General Terms and Conditions of sale, including limitations of our liability, apply to all products and services sold.



# Leistungsdiagramm/Performance Graph M(O) 72 D

Prüfflüssigkeit/Test Liquid: Wasser-Öl-Emulsion/Water Oil Emulsion ca. 1 - 10 cst

