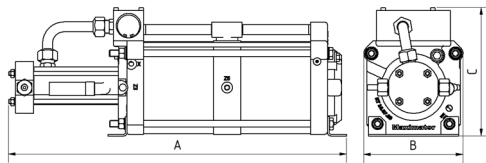
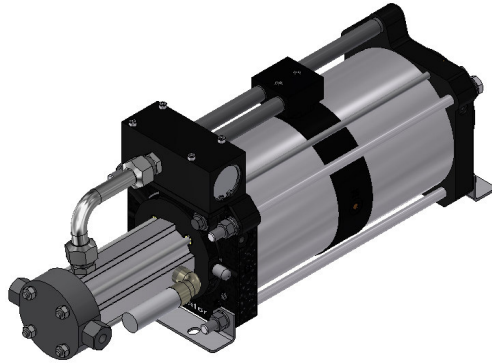




Technical Data Sheet

Gas booster DLE 15-1-2



DLE 15-1-2
single acting, single air drive head; single stage

Technical Data:

Air drive pressure pL:	1 - 10 bar / 14.5 - 145 psi
Pressure ratio i:	1:30
Compression ratio:	1:20
Minimum suction pressure pA:	10
Maximum suction pressure pA:	300 bar
Maximum outlet pressure pB:	300 bar
Displacement volume/double stroke:	122 cm ³
Maximum cycles:	110 / min
Stall pressure:	$p_B = i \cdot p_L$

Standard Connections:

Air drive:	3/4" BSP
DLE 15-1-2 (-GG):	Inlet / Outlet: 1/4" BSP
Maximum operating temperature:	100°C
Net weight:	21.4 kg

Pressure and flow performances, please see enclosed graph.

Materials of construction hp section DLE 15-1-2:

Standard seal package:	PTFE, FKM
Compressor head:	1.4404
HP cylinder:	1.4542
HP piston:	1.4305
Fittings:	1.4404
Balls:	1.4034
Springs:	1.4310

Approximate Dimensions:

A:	616 mm
B:	181 mm
C:	233 mm

Available Options:

Inert gas service (standard):	DLE 15-1-2 (-GG)
Oxygen service:	DLE 15-1-2-GG-S
CO ₂ service:	DLE 15-1-2-GG-C
In-/Outlet: 9/16-18 UNF	DLE 15-1-2-UU
In-/Outlet: 1/4" NPT	DLE 15-1-2-NN

Available Accessories:

Air control units with filter pressure regulator, control pressure gauge and shut off valve:	DLE 15-1-2 with C2
To protect the booster against excessive outlet pressures or to limit the outlet pressure, a safety valve can be fitted to the air control unit in the air drive line.	DLE 15-1-2 with C2 / SV-air (The required outlet pressure has to be indicated.)

Please consult factory for more information. All technical and dimensional information subject to change. All General Terms and Conditions of sale, including limitations of our liability, apply to all products and services sold.

